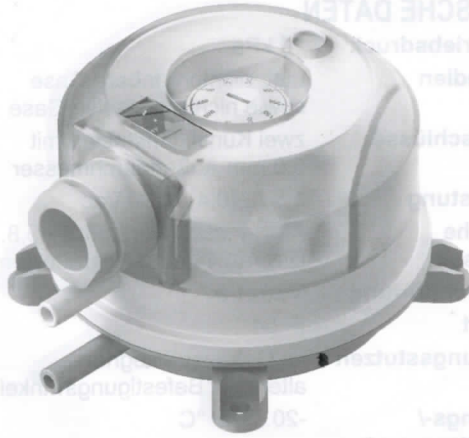


Differential Pressure Switches DPS Series

FOR AIR CONDITIONING / VENTILATION, USER-ADJUSTABLE

PRODUCT DATA AND INSTALLATION INSTRUCTIONS



TECHNICAL SPECIFICATIONS

Max. operating pressure	10 kPa
Pressure media	air, non-flammable gases, and non-aggressive gases
Pressure connections	two plastic tubes, outside diameter: 6.0 mm
Switching capacity	1.5 A, (0.4) /250 Vac
Electrical connections	AMP connectors, 6.3 x 0.8, DIN 46244 or screw terminals
Conduit entry	M20x1.5
Protection class	IP 54
Mounting lugs	integrated in bottom housing (alternative: mounting angles)
Medium/ambient temp.	-20...+85 °C
Storage temperature	-40...+85 °C
Membrane material	silicone

APPLICATION

Differential pressure switches e.g. for monitoring filter, fan, fire damper, or air flow status of air handling systems.

BENEFITS

- Switching-point easily adjustable with scale in Pascal;
- Direction of M20x1.5 conduit entry can be rotated in steps of 120°;
- Only one screw needed for housing cover.

APPROVALS

- CE according to 2014/35/EU.
- EC Gas Appliance Directive 2009/142/EC according to DIN EN 1854: 2010.
- ROHS 2011/65/EC.

-  (Eurasian Conformity)
- 

CONTENTS OF DELIVERY

The delivery includes (in the case of individual packages) the following parts:

- **1 DPS Differential Pressure Switch**
- **1 Data Sheet with installation information**
- **1 DPSA duct kit, consisting of:**
 - 2 m of flexible plastic hosing
 - 2 joining pipes with four screws
 - 2 self-tapping screws for mounting the housing
 - 3 terminal screws for electrical installation

Bulk packages available, upon request.

OPERATING RANGES

type	adjustment range for upper trip pressure*	switching difference (hysteresis)	reproducibility of switching pressure
DPS200	20...200 (Pa)	10 (Pa)	±5% (min. 5 Pa)
DPS400	40...400 (Pa)	20 (Pa)	±5% (min. 5 Pa)
DPS500	50...500 (Pa)	20 (Pa)	±2.5% (min. 5 Pa)
DPS1000	200...1000 (Pa)	100 (Pa)	±1%
DPS2500	500...2500 (Pa)	150 (Pa)	±1%

*The trip pressure refers to vertical mounting. In case of horizontal mounting (with the cover pointing upwards), the range values increase by 20 Pa.

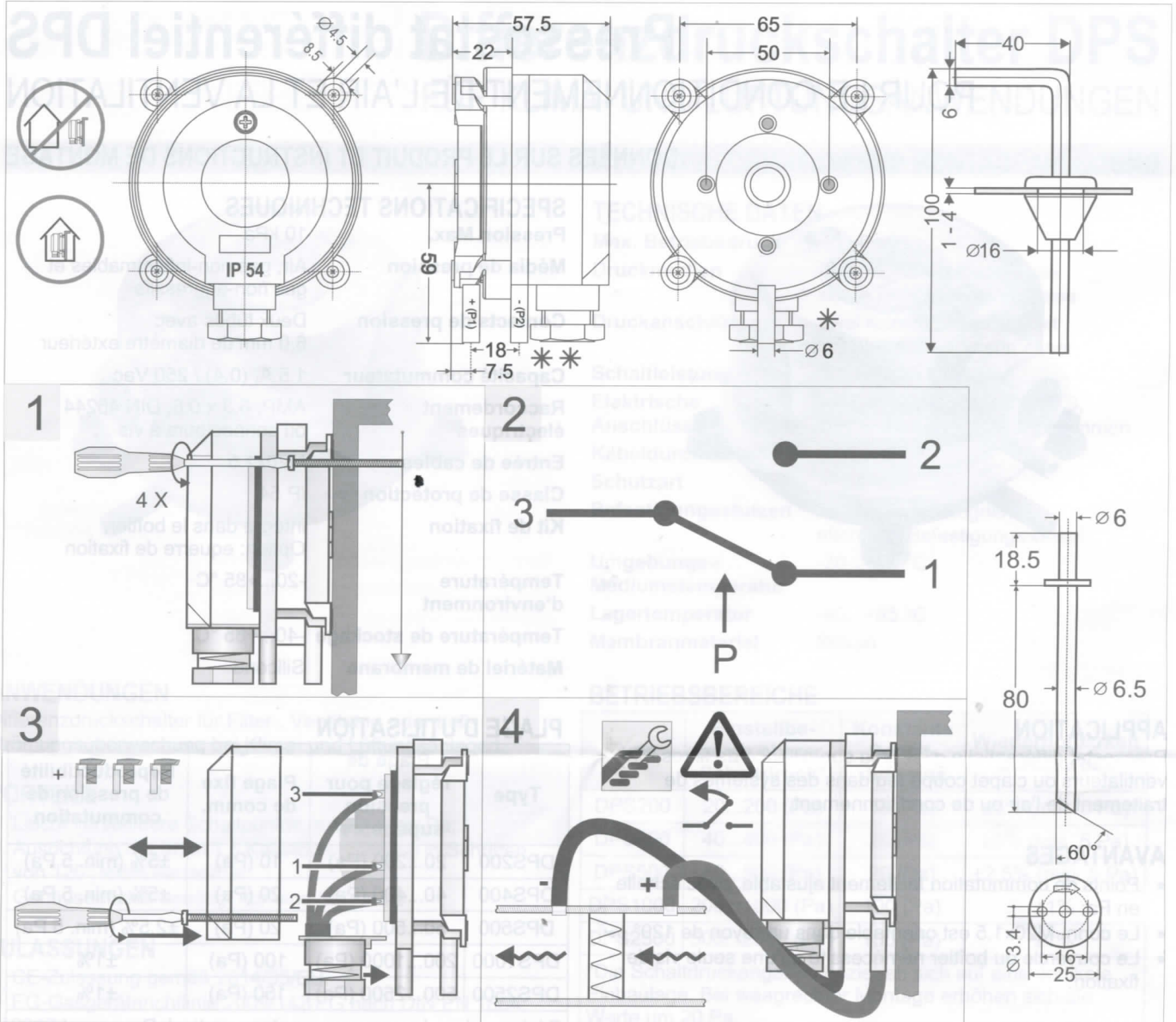
DIMENSIONS

See "Mounting/Einbau/Montage" on page 4.

ACCESSORIES / DELIVERY OPTION

- DPST: Set of three screw terminals
- DPSJ: Joining pipe (part of DPSA duct kit)
- DPS...B in bulk pack (45 pc. per box), without accessories, but with 1 set of Mounting Instructions

MOUNTING/EINBAU/MONTAGE



- P1 = higher pressure = höherer Druck = pression haute
 P2 = lower pressure = niedrigerer Druck = pression basse
 *Use two screws, only, for mounting lugs!
 *Zur Befestigung nur zwei Schrauben verwenden!
 * N'utiliser que deux vis pour le montage.
 ** Remove transport protection from P2!
 ** Transportkappe von P2 entfernen!
 ** Enlever le couvercle de transport de P2.

- NOTE:** Do not install upside down with trip pressures of less than 50 Pa!
HINWEIS: Bei einem Schalldruck von weniger als 50 Pa darf das Gerät nicht über Kopf montiert werden!
NOTICE: Ne pas installer à l'envers si la pression de commutation!

Honeywell

Manufactured for and on behalf of the Connected Building Division of Honeywell Products and Solutions SARL, Z.A. La Pièce 16, 1180 Rolle, Switzerland by its Authorized Representative:

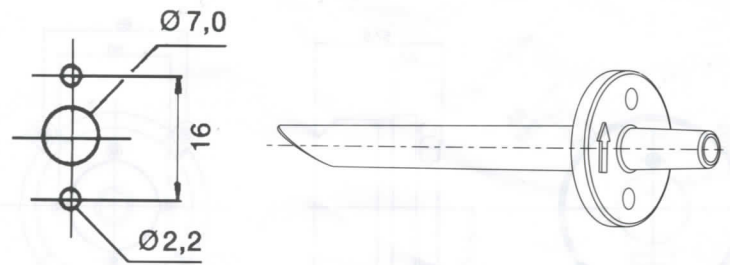
Home and Building Technologies

Honeywell GmbH
 Böblinger Str. 17
 71101 Schönaich
 Germany
 Tel.: (49) 7031-637-02
 Fax: (49) 7031-637-850
 http://europe.hbc.honeywell.com

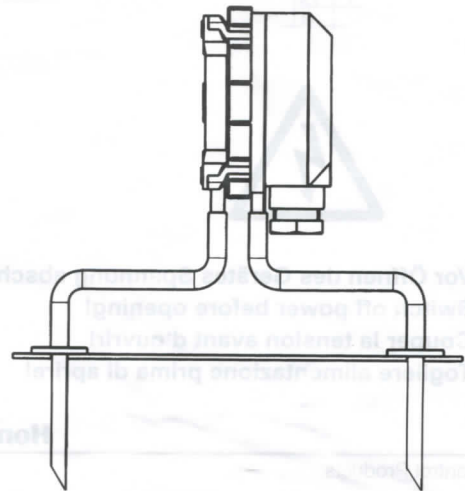
Änderungen vorbehalten. Gedruckt in Deutschland • Modifications reserved. Printed in Germany • Sous réserve de toutes modifications. Imprimé en Allemagne

MU0B-0073GE51 R1219

8.930.561-1

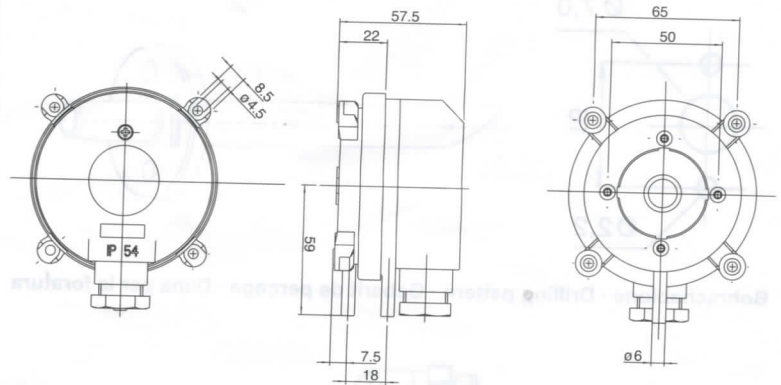


Bohrschablone · Drilling pattern · Gabarit de perçage · Dima per la foratura



Einbaulage: vorzugsweise vertikal
Installation position: preferably vertical
Position de montage: de préférence verticale
Posizione de montaggio: preferibile la posizione verticale

Honeywell
Maße in mm · Dimensions in mm · Dimensions en mm · Dimensioni in mm



ACHTUNG: Vor Öffnen des Gerätes Spannung abschalten!
WARNING: Switch off power before opening!
ATTENTION: Couper la tension avant d'ouvrir!
ATTENZIONE: Togliere alimentazione prima di aprire!

Honeywell

Home and Building Control Products

Honeywell AG
Böblinger Straße 17
D-71101 Schönaich
Phon (49-7031) 637-01
Fax (49-7031) 637-493
<http://europe.hbc.honeywell.com>